

PRODUCT INFORMATION PACKET



Model No: 192253.00
Catalog No: 192253.00
0.33 HP General Purpose, 1 phase, 1800 RPM, 115/230 V, 80 Frame, TEFC
Aluminium TEFC Motors

Regal and Leeson are trademarks of Regal Beloit Corporation or one of its affiliated companies.
©2020 Regal Beloit Corporation, All Rights Reserved. MC017097E





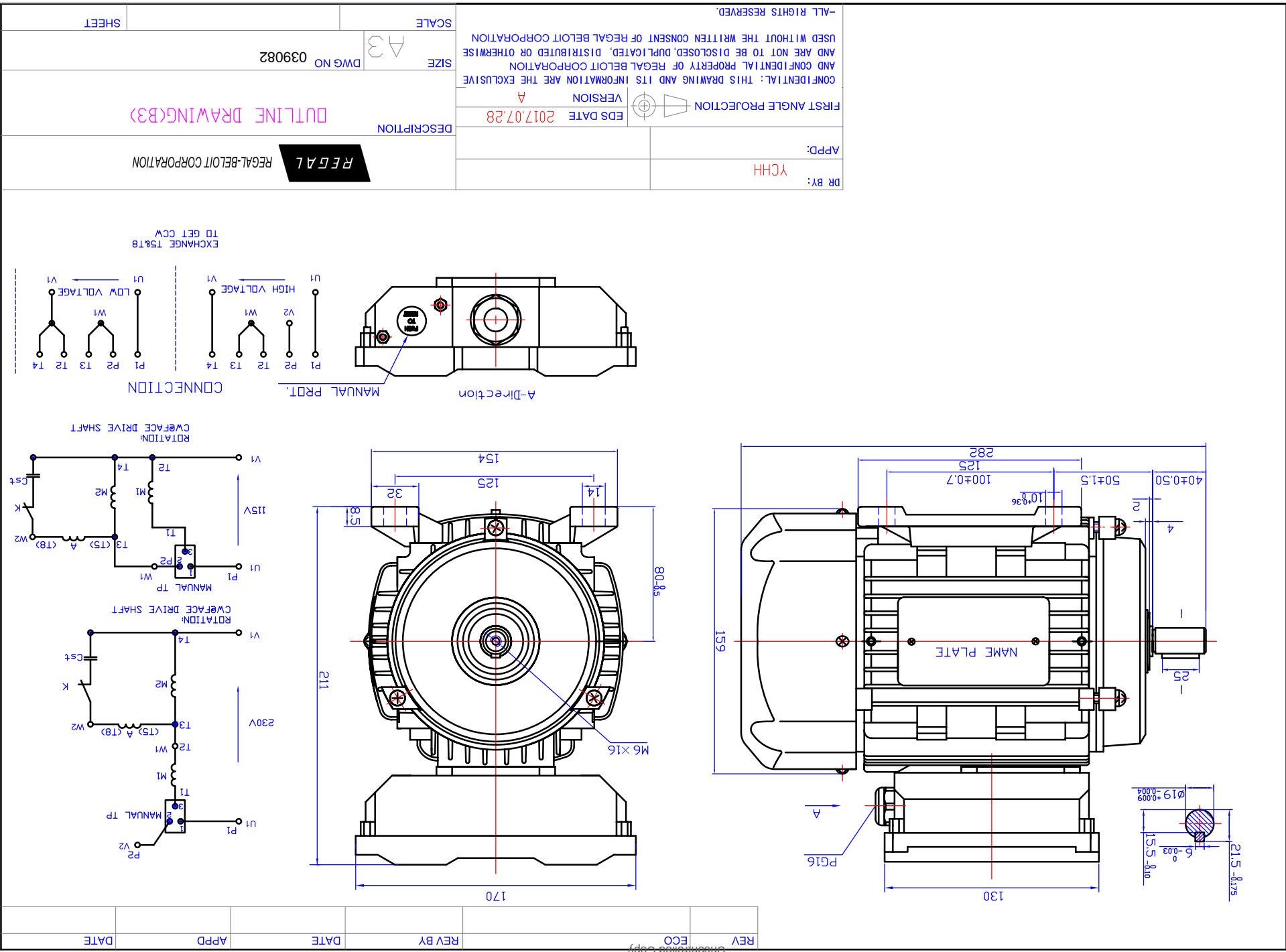
Nameplate Specifications

Output HP	0.33 Hp	Output KW	0.25 kW
Frequency	60 Hz	Voltage	115/230 V
Current	5.0/2.5 A	Speed	1695 rpm
Service Factor	1.15	Phase	1
Efficiency	59.5 %	Power Factor	66
Duty	Continuous	Insulation Class	F
Design Code	N	KVA Code	K
Frame	80	Enclosure	Totally Enclosed Fan Cooled
Thermal Protection	Manual	Ambient Temperature	40 °C
Drive End Bearing Size	6204	Opp Drive End Bearing Size	6204
UL	Recognized	CSA	Y
CE	Y	IP Code	55

Technical Specifications

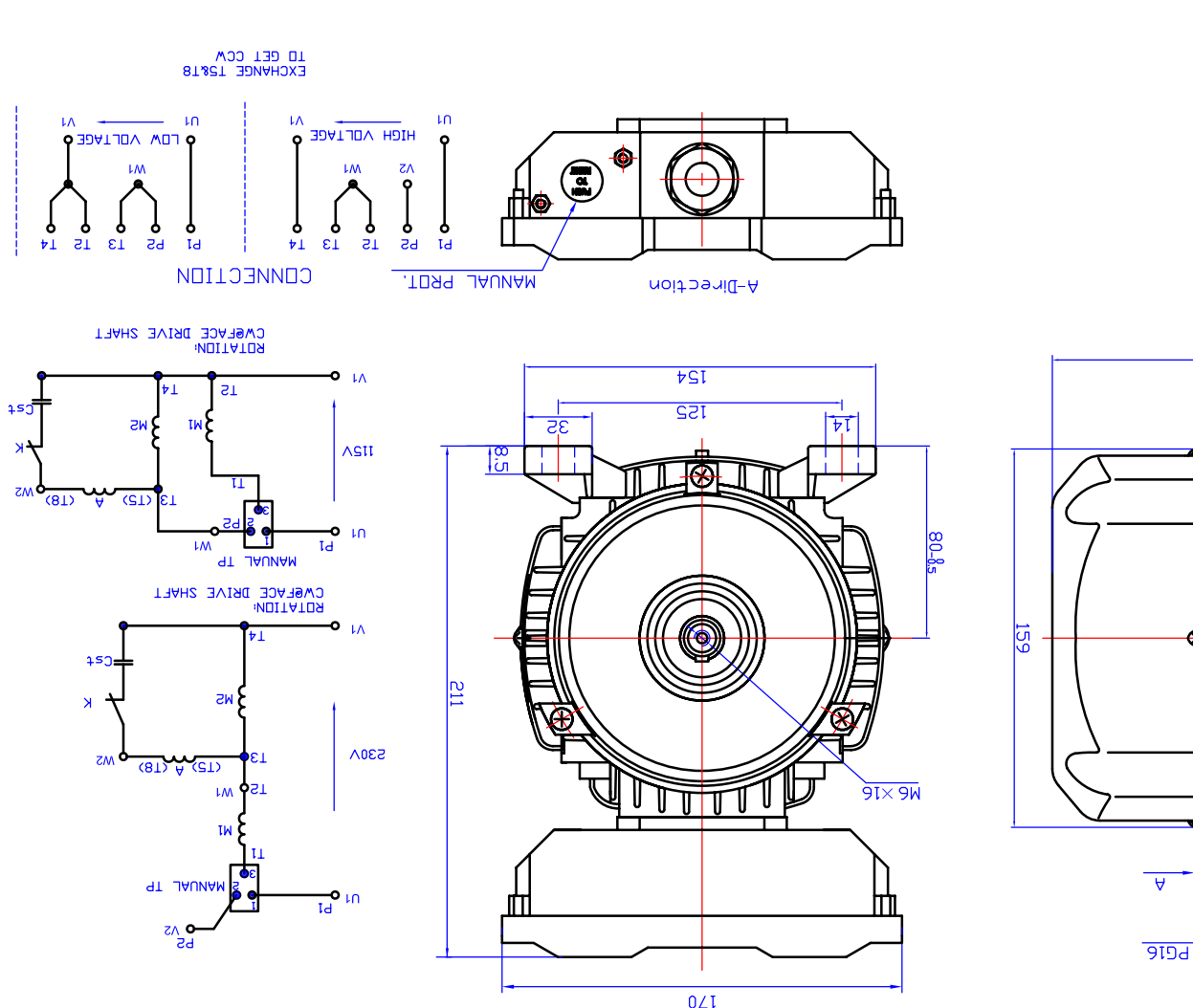
Electrical Type	Capacitor Start Induction Run	Starting Method	Across The Line
Poles	4	Rotation	Selective Clockwise
Resistance Main	8.099 Ohms	Mounting	B3
Motor Orientation	Horizontal	Drive End Bearing	Ball
Opp Drive End Bearing	Ball	Frame Material	Aluminum
Shaft Type	IEC	Overall Length	11.10 in
Shaft Diameter	0.750 in	Shaft Extension	1.57 in
Assembly/Box Mounting	F3		
Connection Drawing	SEE OUTLINE	Outline Drawing	039082

This is an uncontrolled document once printed or downloaded and is subject to change without notice. Date Created:14/10/2020



DR BY: YCHH
 APPD: YCHH

REGAL BELLOIT CORPORATION
 REGAL BELLOIT CORPORATION



Uncontrolled Copy